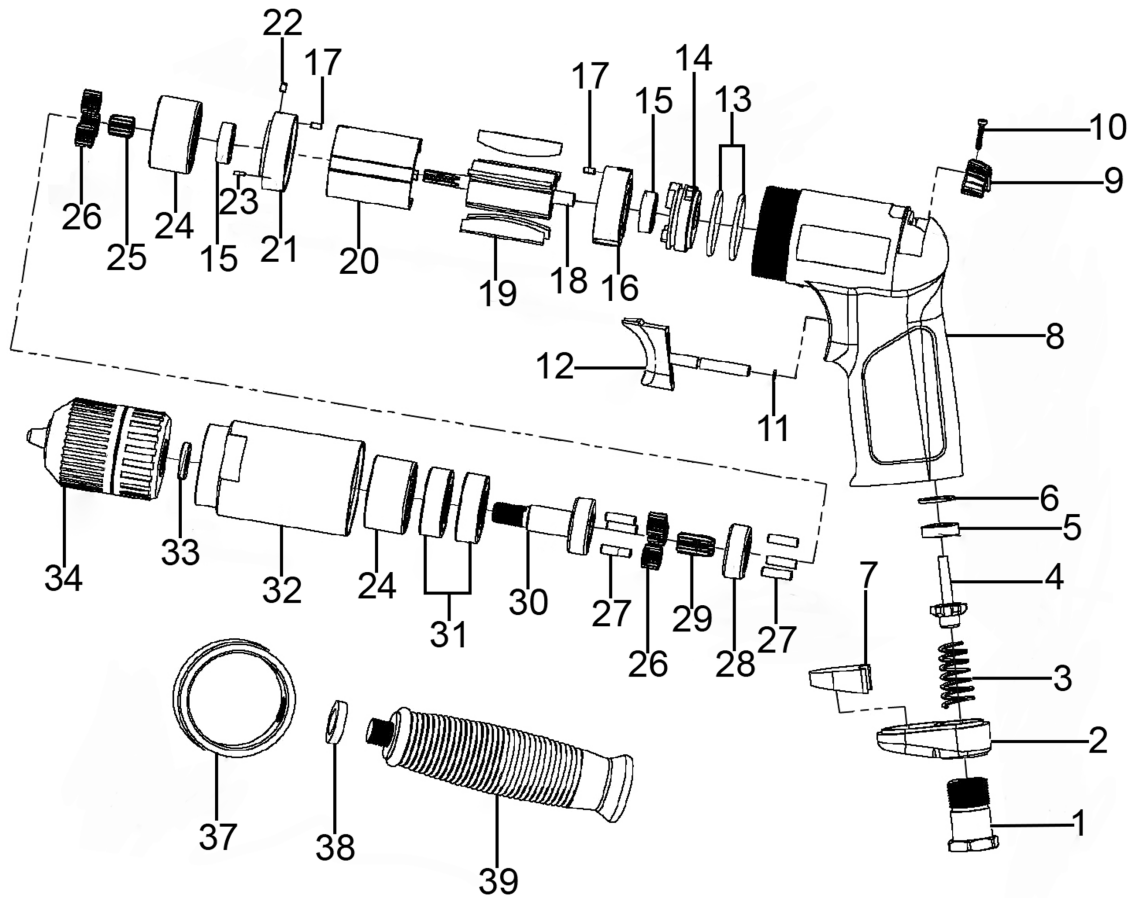


Parts Information:  
**Air Drill Ø13mm with Keyless Chuck  
 Composite Reversible - Premier  
 Model No: SA621.V2**



Item	Part No.	Description
1	SA621V2-01	Inlet Bushing
2	SA621V2-02	Deflector
3	SA621V2-03	Valve Spring, Conical
4	SA621V2-04	Valve
5	SA621V2-05	Valve Seat
6	SA621V2-06	Spacer
7	SA621V2-07	Silencer
8	SA621V2-08	Housing
9	SA621V2-09	Reverse Valve Lever
10	SA621V2-10	Rd Head S/T Screw M2 x 12mm Black
11	SA621V2-11	O-Ring
12	SA621V2-12	Trigger
13	SA621V2-13	O-Ring
14	SA621V2-14	Valve Body
15	B/626	Bearing
16	SA621V2-16	Rear Plate
17	SA34/44	Spring Pin
18	SA621V2-18	Rotor
19	SA621V2-19	Rotor Blade (Set of 5)

Item	Part No.	Description
20	SA621V2-20	Cylinder
21	SA621V2-21	Front Plate
22	SA656.12	Spring Pin
23	SA621V2-23	Pin
24	SA621V2-24	Internal Gear
25	SA621V2-25	Pinion Gear
26	SA621V2-26	Idler Gear
27	SA621V2-27	Pin
28	SA621V2-28	Reduction Spindle
29	SA621V2-29	Reduction Gear
30	SA621V2-30	Work Spindle
31	B/6201ZZ	Bearing
32	SA621V2-32	Gear Housing
33	SA95.V3-02	Spacer
34	GSA27.37	Keyless Chuck 1.5-13mm 3/8"-24 UNF
37	SA621V2-37	Clamp Ring
38	SA621V2-38	Rubber Gasket
39	SA621V2-39	Side Handle
--	SA620/30	Chuck Screw (Not Shown)

**NOTE:** It is our policy to continually improve products and as such we reserve the right to alter data, specifications and component parts without prior notice. There may be alternative versions of this product, please contact us should you require this information.

**IMPORTANT:** No liability is accepted for incorrect use of product. Spare parts must be fitted by a competent person

**WARRANTY:** Guarantee is 12 months from purchase date, proof of which will be required for any claim.